

126x126x41 mm, 32~10 CFM

TAB12641

General specifications

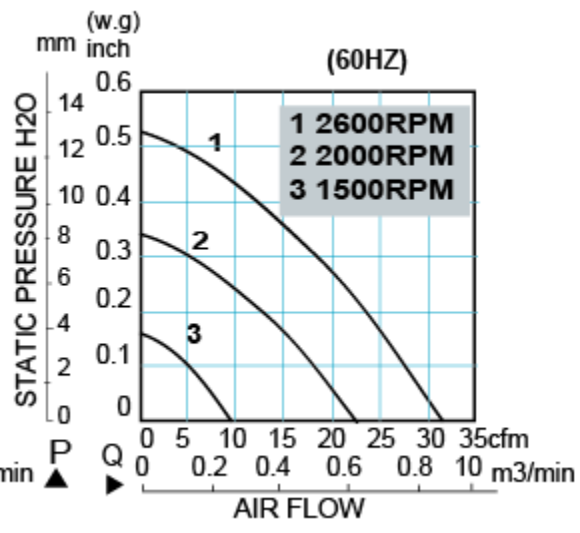
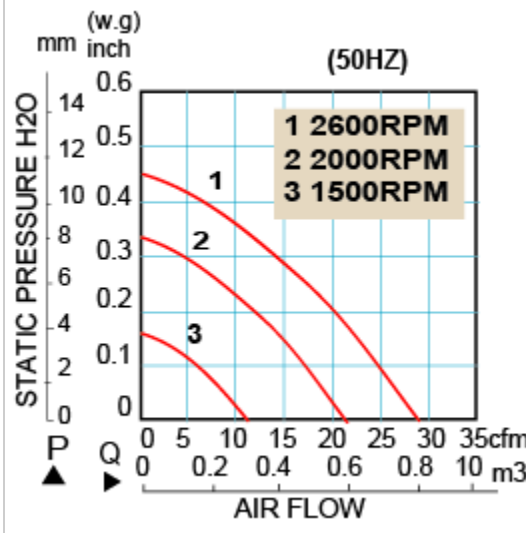
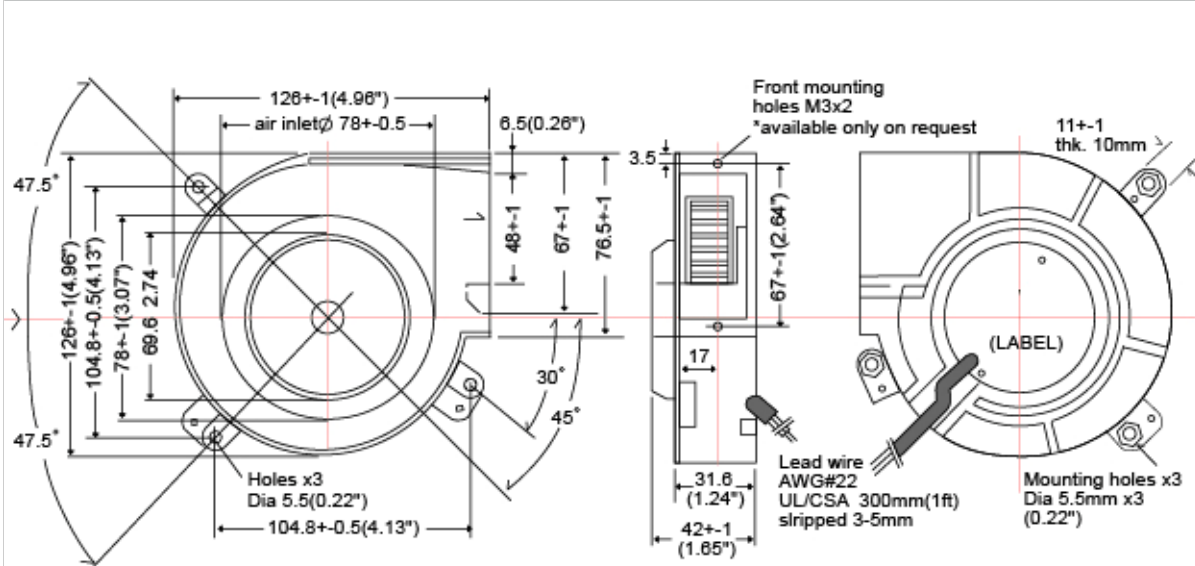


- Motor: Shaded pole, inner rotor, single phase, impedance protected design
- Motor Protection:
- Frame: Aluminum die-cast, black color cosmetics
- Impeller: Glass fiber reinforced thermoplastic impeller, rated UL94V-0
- Bearing: Two high precision permanently lubricated ball bearings
- Rotation: CW looking at rotor, air inlet side of housing, air outlet from struts
- Operating Temp: Ambient non-condensing allowable thermal range -20C~+75C
- Storage Temp:
- Life Expectancy: MTBF life test 85,000 hours at +45C, 40,000 hours at +60C
- Dielectric Strength: Over 1 min. at 1,500 VAC, 0.5mA, 50/60 Hz
- Insulation Resistance: Over 100 Mega Ohm at DC 500V
- IP Protection:
- Connection: Wire lead or Terminal flat pin connecting for choice
- Weight: 630 g (1.4 Lbs)
- UL File # E195890



Model No.	Rated Voltage VAC	Voltage Range VAC	Freq. Hz	Input Power Watt	Ref. Speed RPM	Max. Airflow CFM	Max. Static Pressure Inch/H2O	Noise dB(A)
TAB12641-H-110	115	60~130	50/60	20/18	2600/2800	29/32	0.44/0.52	49
TAB12641-M-110	115	60~130	50/60	14/12	2000/2100	22/23	0.33/0.34	37
TAB12641-L-110	115	60~130	50/60	11/9	1500/1400	11/10	0.17/0.15	29
TAB12641-H-220	230	120~260	50/60	20/18	2600/2800	29/32	0.44/0.52	49
TAB12641-M-220	230	120~260	50/60	14/12	2000/2100	22/23	0.33/0.34	37
TAB12641-L-220	230	120~260	50/60	11/9	1500/1400	11/10	0.17/0.15	29
TAB12641-H-110/220 dual voltage	115 230	70~240	50/60	20/18	2600/2800	29/32	0.44/0.52	49

Fan Performance Curves and Dimensions



\* TEI reserves the right to change data and specs without notice\* Tests are at nominal rated voltage against zero static pressure\* Specifications subject to change without notice, data tolerance +-10%